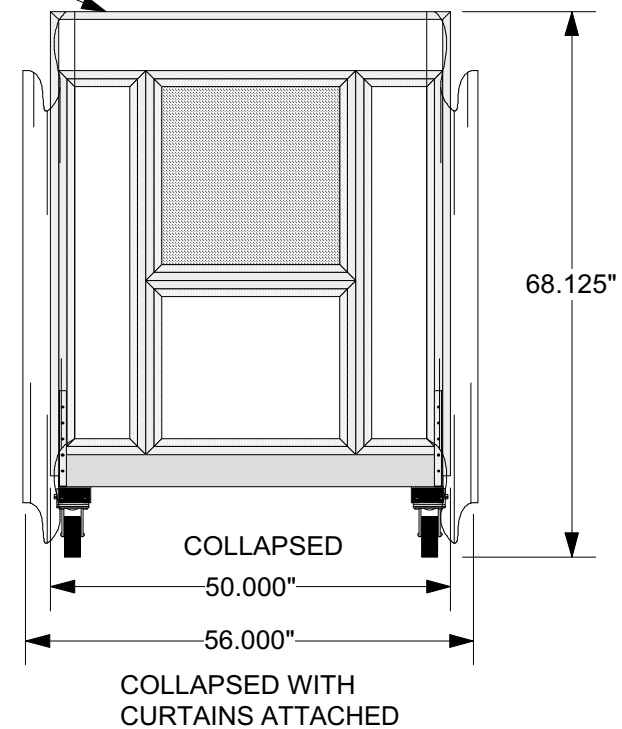


1" TUBE FRAME CURTAIN  
SUPPORT 50"x58"



**797 / AIRLOCK / SIS 212**

THIS DRAWING IS THE PROPERTY OF SIMPLEX ISOLATION SYSTEMS AND IS BEING SUBMITTED FOR REVIEW. THE DESIGN AND COMPONENTS ARE PROPRIETARY AND CONFIDENTIAL AND SHALL NOT BE COPIED OR DISCLOSED TO ANY OTHER PARTY WITHOUT WRITTEN CONSENT BY SIMPLEX ISOLATION SYSTEMS.

FOR: **MARKETING**

PROJECT: **SURGE ISOLATION POD**

DRAWN BY:  
SCALE: **B:1"=2'**

PAGES: **1 of 1**

DWG #: **CL20-1217-0**  
DATE: **12/17/2020**

APPROVED BY:  
DATE:

REVISIONS: